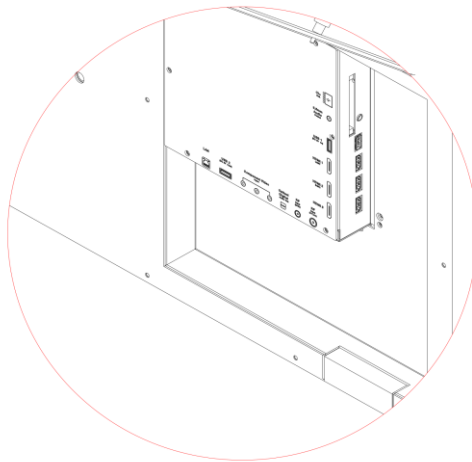
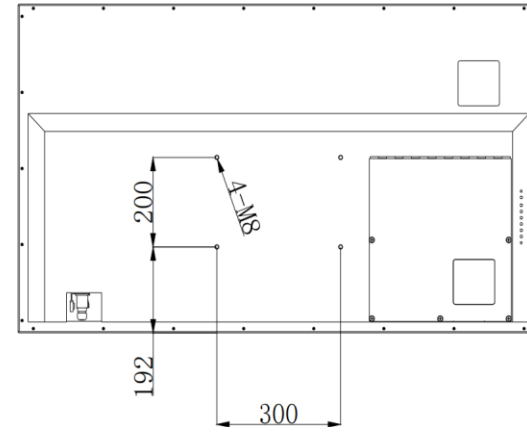
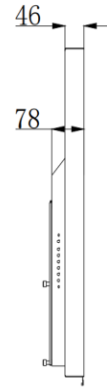
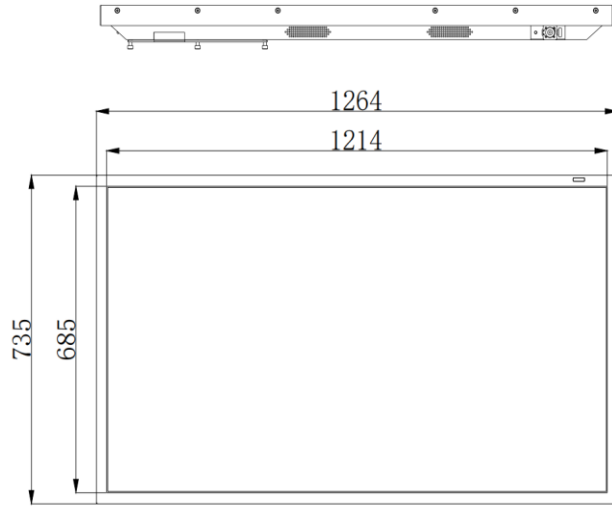


ProofVision Lifestyle Plus NX 55" TV CAD



A 1:5

