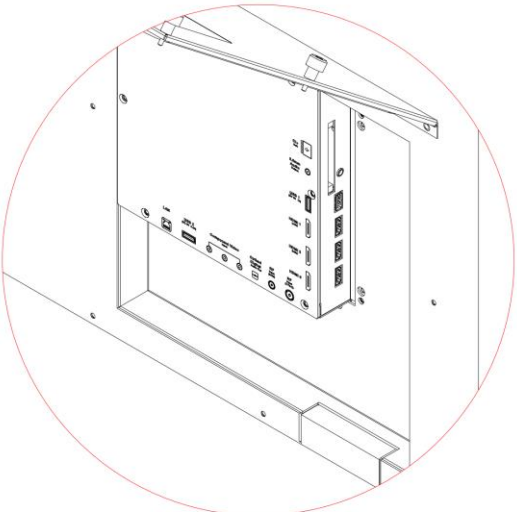
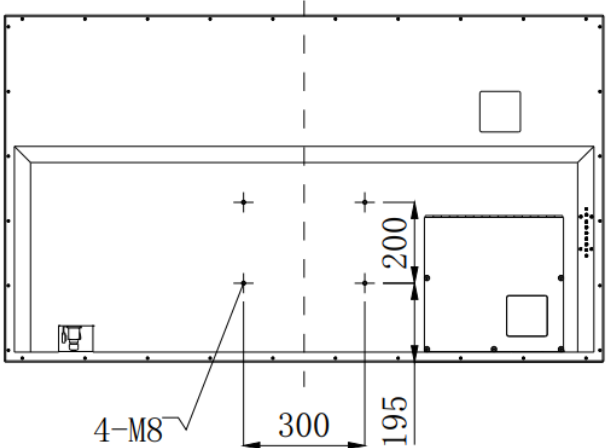
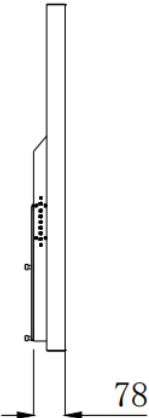
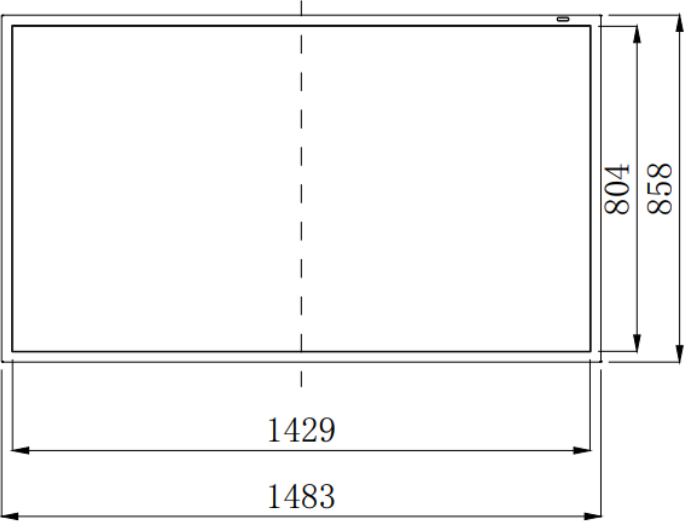
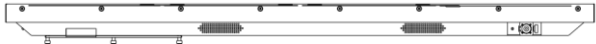


# ProofVision Lifestyle Plus NX 65" TV CAD



A 1:6

